



100V N-Channel Trench Power MOSFET

General Description

The SJD01N1280 uses advanced trench technology to provide excellent $R_{DS(ON)}$, low gate charge and operation with gate voltages as low as 4.5V. This device is suitable for use as a wide variety of applications.

Features

- Low Gate Charge
- 100% UIS Tested, 100% DVDS Tested
- High Power and current handling capability
- Lead free product is acquired

Application

- DC/DC Converter
- Ideal for high-frequency switching and synchronous rectification

Key Performance Parameters

Parameter	Value	Unit
V_{DS}	100	V
$R_{DS(ON_TYP)}$	130	m Ω
I_D	7.9	A
Q_G	15.5	nC



Package Marking and Ordering Information

Device/Ordering Code	Marking	Package	Packing	Reel Size	Tape width	Quantity
SJD01N1280	SJD01N1280	TO-252	Tape	\	\	2500 Pcs

Table 1. Absolute Maximum Ratings ($T_C=25^\circ\text{C}$ unless otherwise noted)

Symbol	Parameter	Limit	Unit
V_{DS}	Drain-Source Voltage ($V_{GS}=0V$)	100	V
V_{GS}	Gate-Source Voltage ($V_{DS}=0V$)	± 20	V
I_D	Drain Current-Continuous($T_C=25^\circ\text{C}$)	7.9	A
	Drain Current-Continuous($T_C=100^\circ\text{C}$)	5	A
I_{DM} (pluse)	Drain Current-Continuous@ Current-Pulsed (Note 1)	31.6	A
P_D	Maximum Power Dissipation($T_C=25^\circ\text{C}$)	20.5	W
	Maximum Power Dissipation($T_C=100^\circ\text{C}$)	8.2	W
E_{AS}	Avalanche energy (Note 2)	16	mJ
T_J, T_{STG}	Operating Junction and Storage Temperature Range	-55 To 150	$^\circ\text{C}$

Table 2. Thermal Characteristic

Symbol	Parameter	Typ	Max	Unit
$R_{\theta JC}$	Thermal Resistance, Junction-to-Case		6.1	$^\circ\text{C}/\text{W}$



100V N-Channel Trench Power MOSFET

Table 3. Electrical Characteristics (T_J=25°C unless otherwise noted)

Symbol	Parameter	Conditions	Min	Typ	Max	Unit
On/Off States						
B _{VDSS}	Drain-Source Breakdown Voltage	V _{GS} =0V I _D =250μA	100			V
I _{DSS}	Zero Gate Voltage Drain Current	V _{DS} =100V, V _{GS} =0V T _J =25°C			1	μA
		V _{DS} =100V, V _{GS} =0V T _J =125°C			100	μA
I _{GSS}	Gate-Body Leakage Current	V _{GS} =±20V, V _{DS} =0V			±100	nA
V _{GS(th)}	Gate Threshold Voltage	V _{DS} =V _{GS} , I _D =250μA	1		2.5	V
g _{FS}	Forward Transconductance	V _{DS} =5V, I _D =3A		6.5		S
R _{DS(ON)}	Drain-Source On-State Resistance	V _{GS} =10V, I _D =3A T _J =25°C		130	163	mΩ
R _{DS(ON)}	Drain-Source On-State Resistance	V _{GS} =4.5V, I _D =2A T _J =25°C		135	180	mΩ
Dynamic Characteristics						
C _{iss}	Input Capacitance	V _{DS} =50V, V _{GS} =0V, f=1.0MHz		640		pF
C _{oss}	Output Capacitance			25		pF
C _{rss}	Reverse Transfer Capacitance			21		pF
R _g	Gate resistance	V _{GS} =0V, V _{DS} =0V, f=1.0MHz		2.1		Ω
0Switching Parameters						
t _{d(on)}	Turn-on Delay Time	V _{GS} =10V, V _{DS} =50V, R _L =5Ω, R _{GEN} =3Ω		6		nS
t _r	Turn-on Rise Time			4		nS
t _{d(off)}	Turn-Off Delay Time			20		nS
t _f	Turn-Off Fall Time			4		nS
Q _g	Total Gate Charge	V _{GS} =10V, V _{DS} =50V, I _D =3A		15.5		nC
Q _{gs}	Gate-Source Charge			2		nC
Q _{gd}	Gate-Drain Charge			2.5		nC
Source-Drain Diode Characteristics						
I _{SD}	Source-Drain Current (Body Diode)				7.9	A
V _{SD}	Forward on Voltage ^(Note 3)	V _{GS} =0V, I _S =3A			1.2	V
t _{rr}	Reverse Recovery Time	I _F =3A, dI/dt=100A/μs		25		ns
Q _{rr}	Reverse Recovery Charge	I _F =3A, dI/dt=100A/μs		15		nC

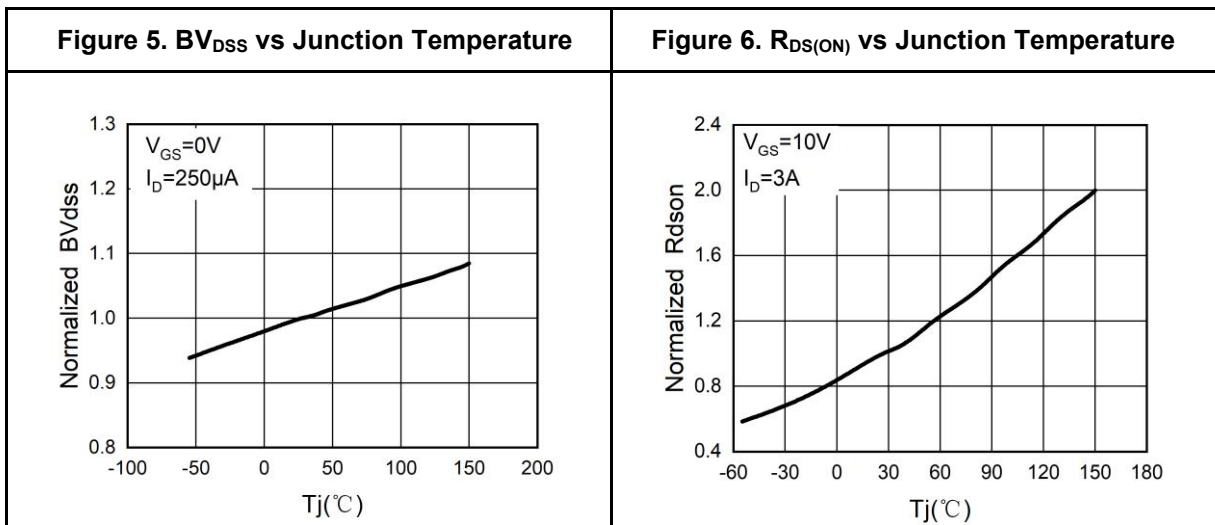
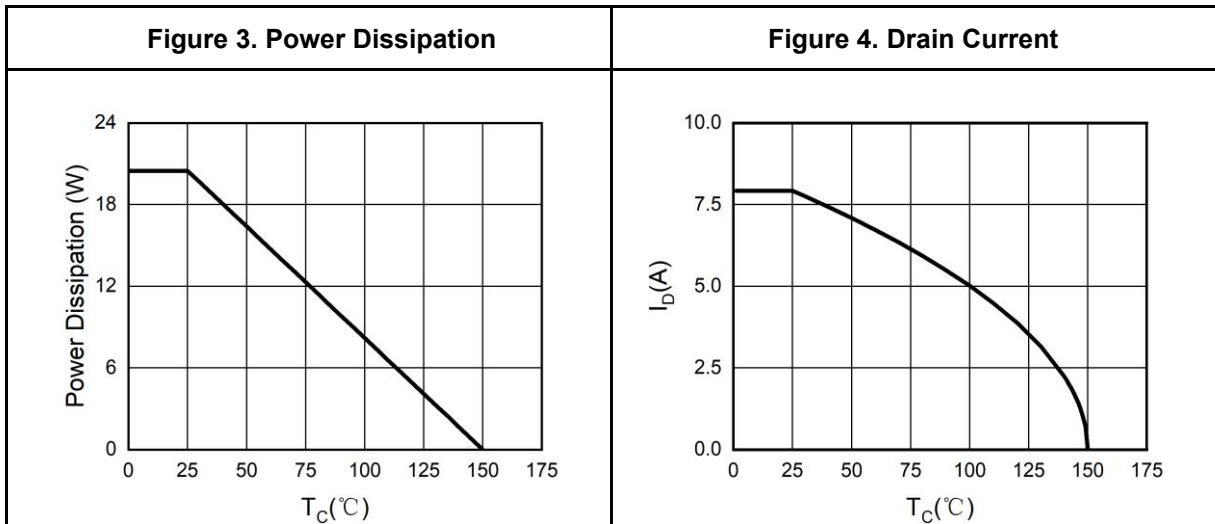
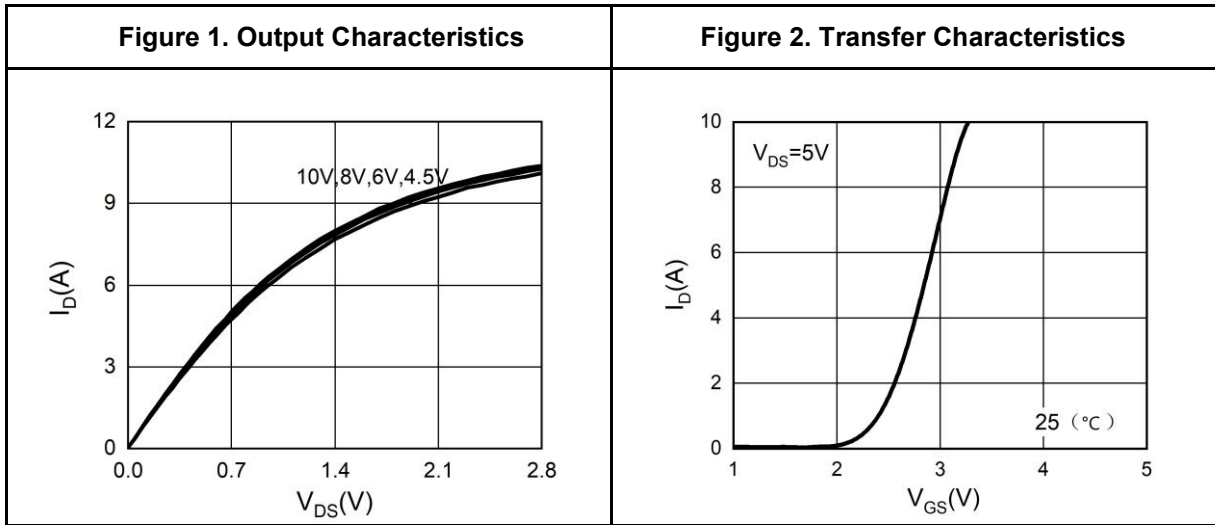
Notes 1.Repetitive Rating: Pulse width limited by maximum junction temperature.

Notes 2.EAS condition: T_J=25°C, V_{DD}=40V, V_G=10V, R_g=25Ω, L=0.5mH.

Notes 3.Repetitive Rating: Pulse width limited by maximum junction temperature.

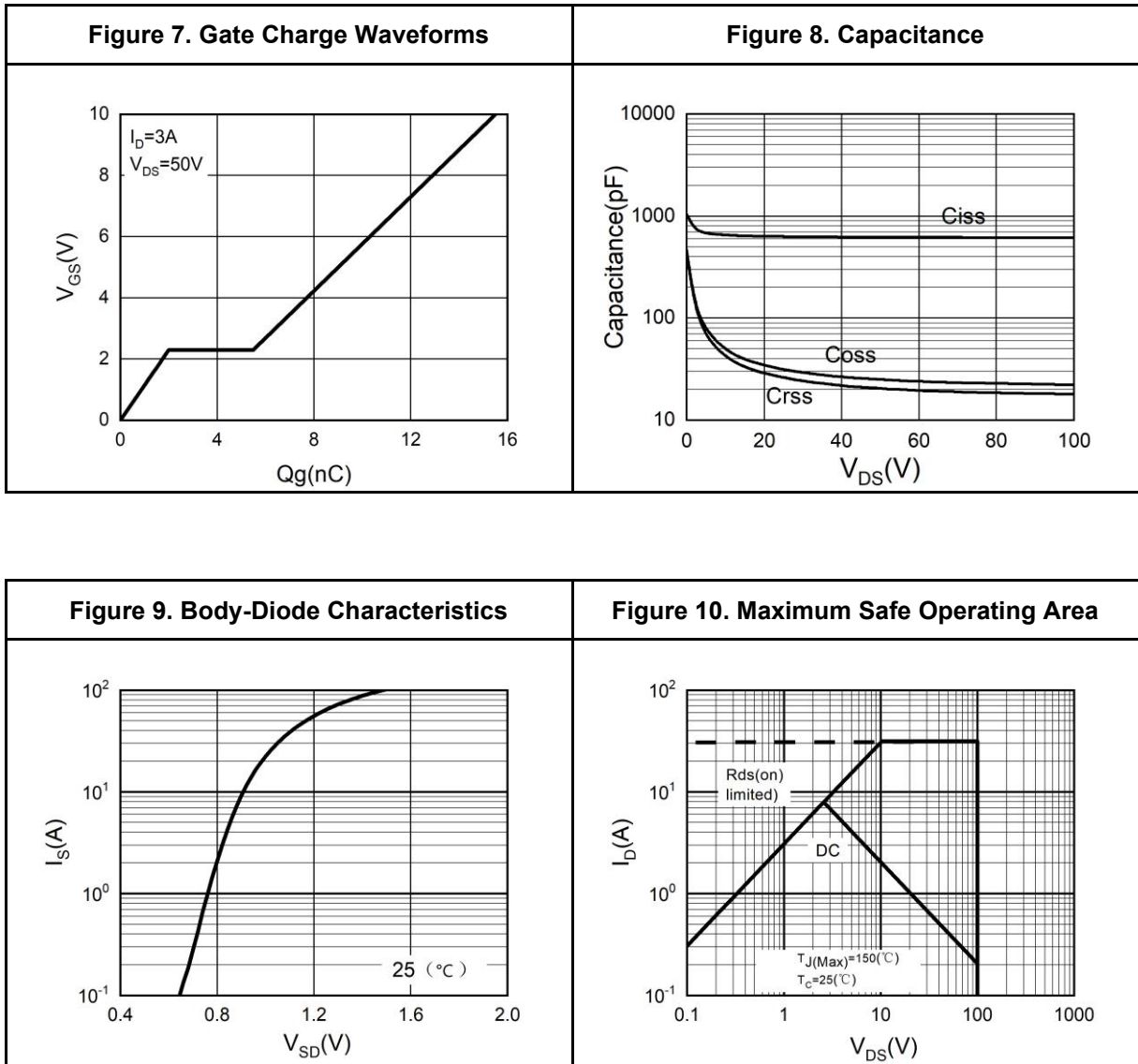


Typical Electrical And Thermal Characteristics (Curves)



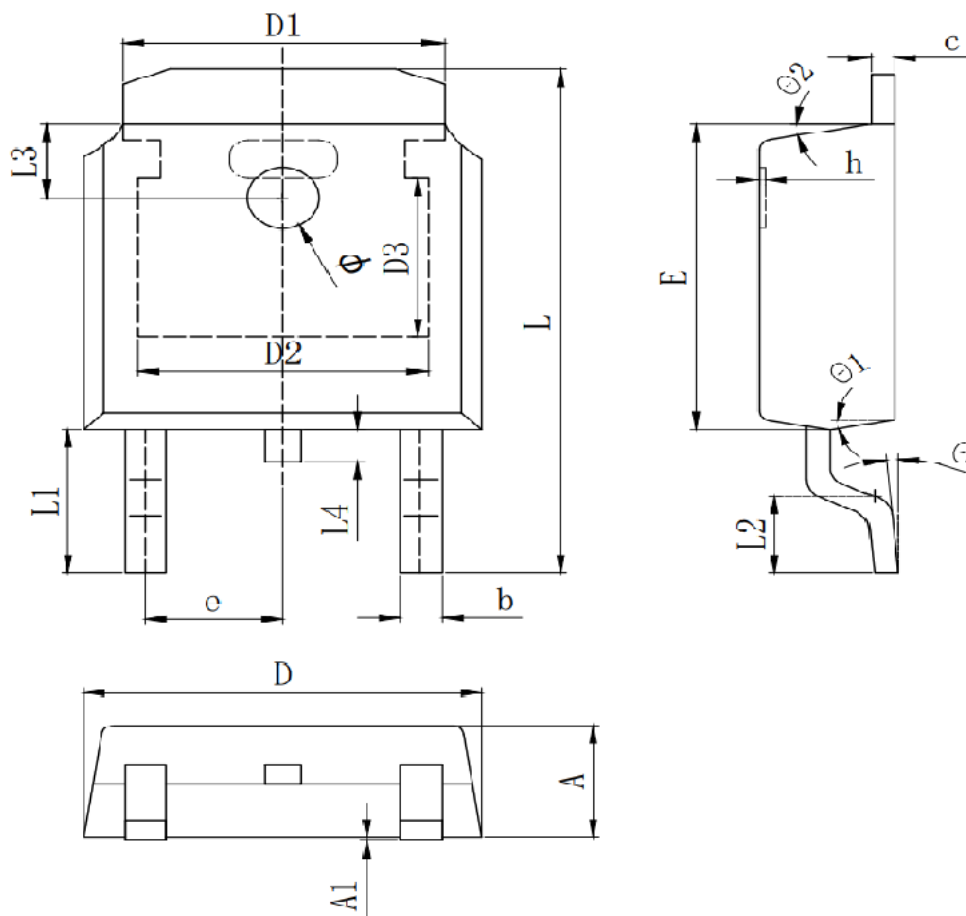


Typical Electrical And Thermal Characteristics (Curves)





TO-252 Package Information



Symbol	Dimensions In Millimeters		
	Min.	Typ.	Max.
A	2.200	2.300	2.400
A1	0.000		0.127
b	0.640	0.690	0.740
c(电镀后)	0.460	0.520	0.580
D	6.500	6.600	6.700
D1	5.334 REF		
D2	4.826 REF		
D3	3.166 REF		
E	6.000	6.100	6.200
e	2.286 TYP		
h	0.000	0.100	0.200
L	9.900	10.100	10.300
L1	2.888 REF		
L2	1.400	1.550	1.700
L3	1.600 REF		
L4	0.600	0.800	1.000
Φ	1.100	1.200	1.300
θ	0°		8°
θ1	9° TYP		
θ2	9° TYP		



Attention

This product described in this document can not be used in life support devices or systems, aircraft's control systems, and other applications whose failure can be reasonably expected to result in serious physical and/or material damage, apart from that when an application agreement is signed between customer and Wuxi Shangjia Semiconductor

The performances and characteristics of this product in the independent testing state are displayed in this document. Wuxi Shangjia Semiconductor can't guarantee of the performances and characteristics of this described product that mounted in the customer's products or equipments as same as that in the independent testing state. So the customer should evaluate and test devices mounted in the customer's products or equipments.

Wuxi Shangjia Semiconductor reserves the right to improve the designs, functions and reliability of this product and modify any and all information described in this document without notice customer, apart from that when a notice agreement is signed between customer and Wuxi Shangjia Semiconductor.

The information given in this document shall in no event be regarded as a guarantee of conditions or characteristics. With respect to any examples or hints given herein, any typical values stated herein and/or any information regarding the application of the device, Wuxi Shangjia Semiconductor hereby disclaims any and all warranties and liabilities of any kind, including without limitation, warranties of non-infringement of intellectual property rights of any third party.