



30V P-Channel Trench Power MOSFET

General Description

The SJA3401G uses advanced trench technology to provide excellent $R_{DS(ON)}$, low gate charge and operation with gate voltages as low as -2.5V. This device is suitable for use as a wide variety of applications.

Features

- Low Gate Charge
- High Power and current handing capability
- Lead free product is acquired

Application

- PWM Applications
- Load Switch
- Power Management

Key Performance Parametes

Parameter	Value	Unit
V_{DS}	-30	V
$R_{DS(ON_TYP)}$	32	m Ω
I_D	-4.7	A
Q_G	8	nC



Schematic Diagram

SOT-23-3L top view

Package Marking and Ordering Information

Device/Ordering Code	Marking	Package	Packing	Reel Size	Tape width	Quantity
SJA3401G	3401G	SOT-23-3L	Tape	\	\	3000 Pcs

Table 1. Absolute Maximum Ratings ($T_A=25^\circ\text{C}$ unless otherwise noted)

Symbol	Parameter	Limit	Unit
V_{DS}	Drain-Source Voltage ($V_{GS}=0V$)	-30	V
V_{GS}	Gate-Source Voltage ($V_{DS}=0V$)	± 12	V
I_D	Drain Current-Continuous($T_A=25^\circ\text{C}$)	-4.7	A
	Drain Current-Continuous($T_A=100^\circ\text{C}$)	-3	A
I_{DM} (pluse)	Drain Current-Continuous@ Current-Pulsed (Note 1)	-18.8	A
P_D	Maximum Power Dissipation($T_A=25^\circ\text{C}$)	1.4	W
	Maximum Power Dissipation($T_A=100^\circ\text{C}$)	0.6	W
E_{AS}	Avalanche energy (Note 2)	30	mJ
T_J, T_{STG}	Operating Junction and Storage Temperature Range	-55 To 150	$^\circ\text{C}$

Table 2. Thermal Characteristic

Symbol	Parameter	Typ	Max	Unit
$R_{\theta JA}$	Thermal Resistance, Junction-to-Ambient		88	$^\circ\text{C/W}$



30V P-Channel Trench Power MOSFET

Table 3. Electrical Characteristics ($T_J=25^\circ\text{C}$ unless otherwise noted)

Symbol	Parameter	Conditions	Min	Typ	Max	Unit
On/Off States						
BV_{DSS}	Drain-Source Breakdown Voltage	$V_{GS}=0V, I_D=250\mu A$	-30			V
I_{DSS}	Zero Gate Voltage Drain Current	$V_{DS}=-30V, V_{GS}=0V, T_J=25^\circ\text{C}$			1	μA
		$V_{DS}=-30V, V_{GS}=0V, T_J=125^\circ\text{C}$			100	μA
I_{GSS}	Gate-Body Leakage Current	$V_{GS}=\pm 10V, V_{DS}=0V$			± 100	nA
$V_{GS(th)}$	Gate Threshold Voltage	$V_{DS}=V_{GS}, I_D=250\mu A$	-0.5		-1.5	V
g_{FS}	Forward Transconductance	$V_{DS}=-5V, I_D=-1A$		3.9		S
$R_{DS(ON)}$	Drain-Source On-State Resistance	$V_{GS}=-10V, I_D=-1A, T_J=25^\circ\text{C}$		32	40	m Ω
$R_{DS(ON)}$	Drain-Source On-State Resistance	$V_{GS}=-4.5V, I_D=-1A, T_J=25^\circ\text{C}$		36.7	48.8	m Ω
$R_{DS(ON)}$	Drain-Source On-State Resistance	$V_{GS}=-2.5V, I_D=-1A, T_J=25^\circ\text{C}$		49	65.2	m Ω
Dynamic Characteristics						
C_{iss}	Input Capacitance	$V_{DS}=-15V, V_{GS}=0V, f=1.0\text{MHz}$		818		pF
C_{oss}	Output Capacitance			78		pF
C_{riss}	Reverse Transfer Capacitance			65		pF
R_g	Gate resistance	$V_{GS}=0V, V_{DS}=0V, f=1.0\text{MHz}$		23		Ω
Switching Parameters						
$t_{d(on)}$	Turn-on Delay Time	$V_{GS}=-10V, V_{DS}=-15V, R_L=15\Omega, R_{GEN}=3\Omega$		8		nS
t_r	Turn-on Rise Time			15		nS
$t_{d(off)}$	Turn-Off Delay Time			45		nS
t_f	Turn-Off Fall Time			33		nS
Q_g	Total Gate Charge	$V_{GS}=-10V, V_{DS}=-15V, I_D=-1A$		8		nC
Q_{gs}	Gate-Source Charge			2		nC
Q_{gd}	Gate-Drain Charge			2		nC
Source-Drain Diode Characteristics						
I_{SD}	Source-Drain Current (Body Diode)				-4.7	A
V_{SD}	Forward on Voltage (Note 3)	$V_{GS}=0V, I_S=-1A$			1.2	V
t_{rr}	Reverse Recovery Time	$I_F=-1A, dI/dt=100A/\mu s$		8		ns
Q_{rr}	Reverse Recovery Charge	$I_F=-1A, dI/dt=100A/\mu s$		3		nC

Notes 1.Repetitive Rating: Pulse width limited by maximum junction temperature.

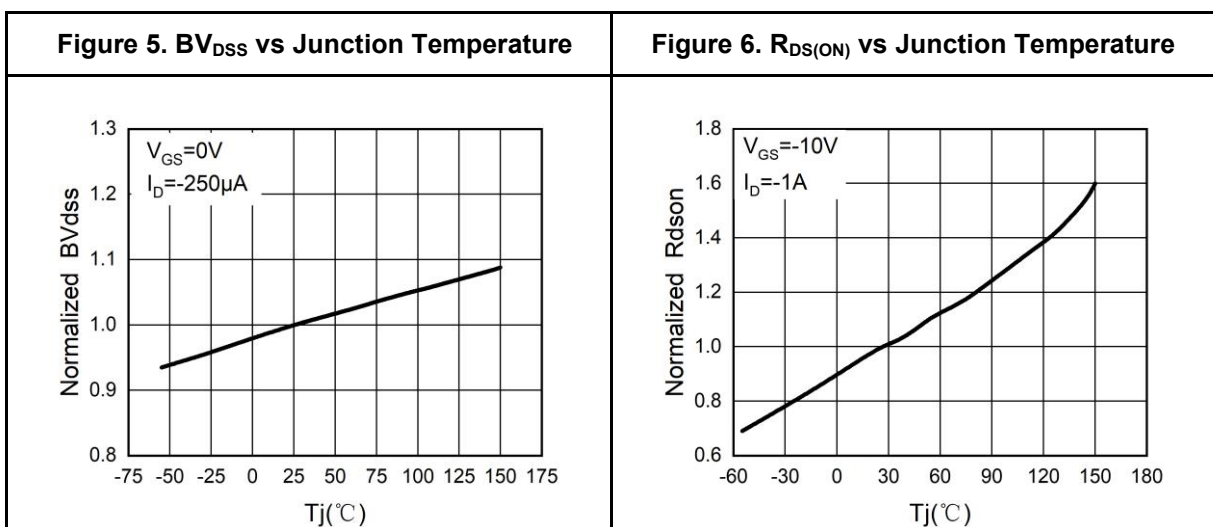
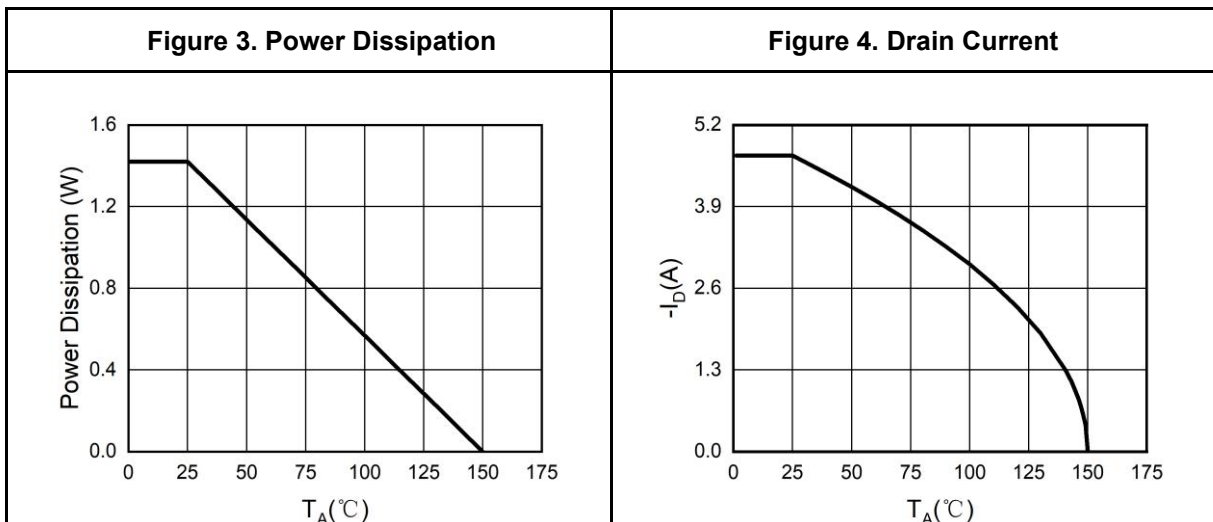
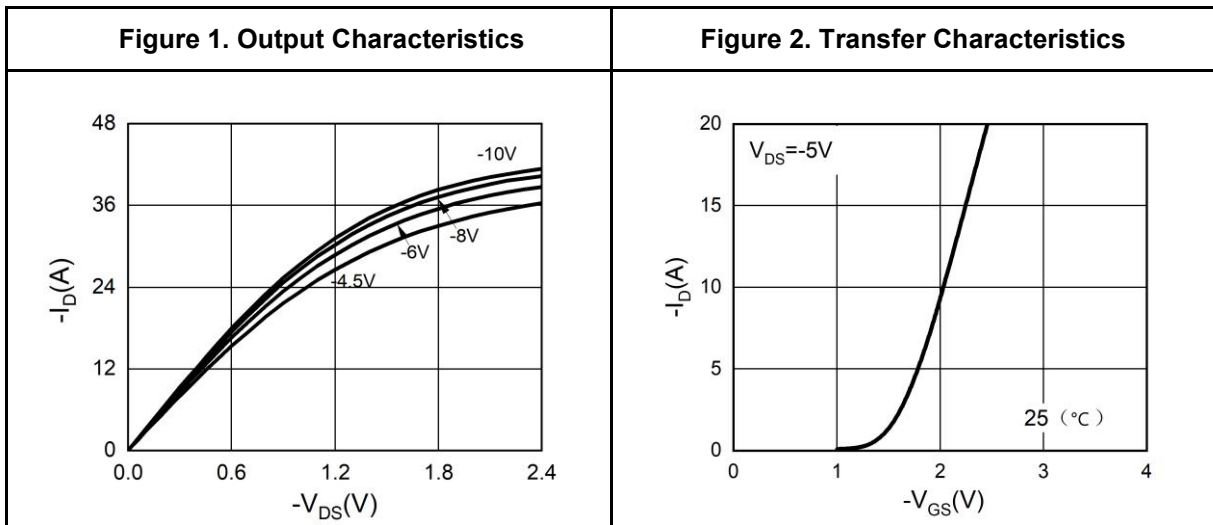
Notes 2.EAS condition: $T_J=25^\circ\text{C}, V_{DS}=-30V, V_G=10V, R_g=25\Omega, L=0.5\text{mH}$.

Notes 3.Repetitive Rating: Pulse width limited by maximum junction temperature.



30V P-Channel Trench Power MOSFET

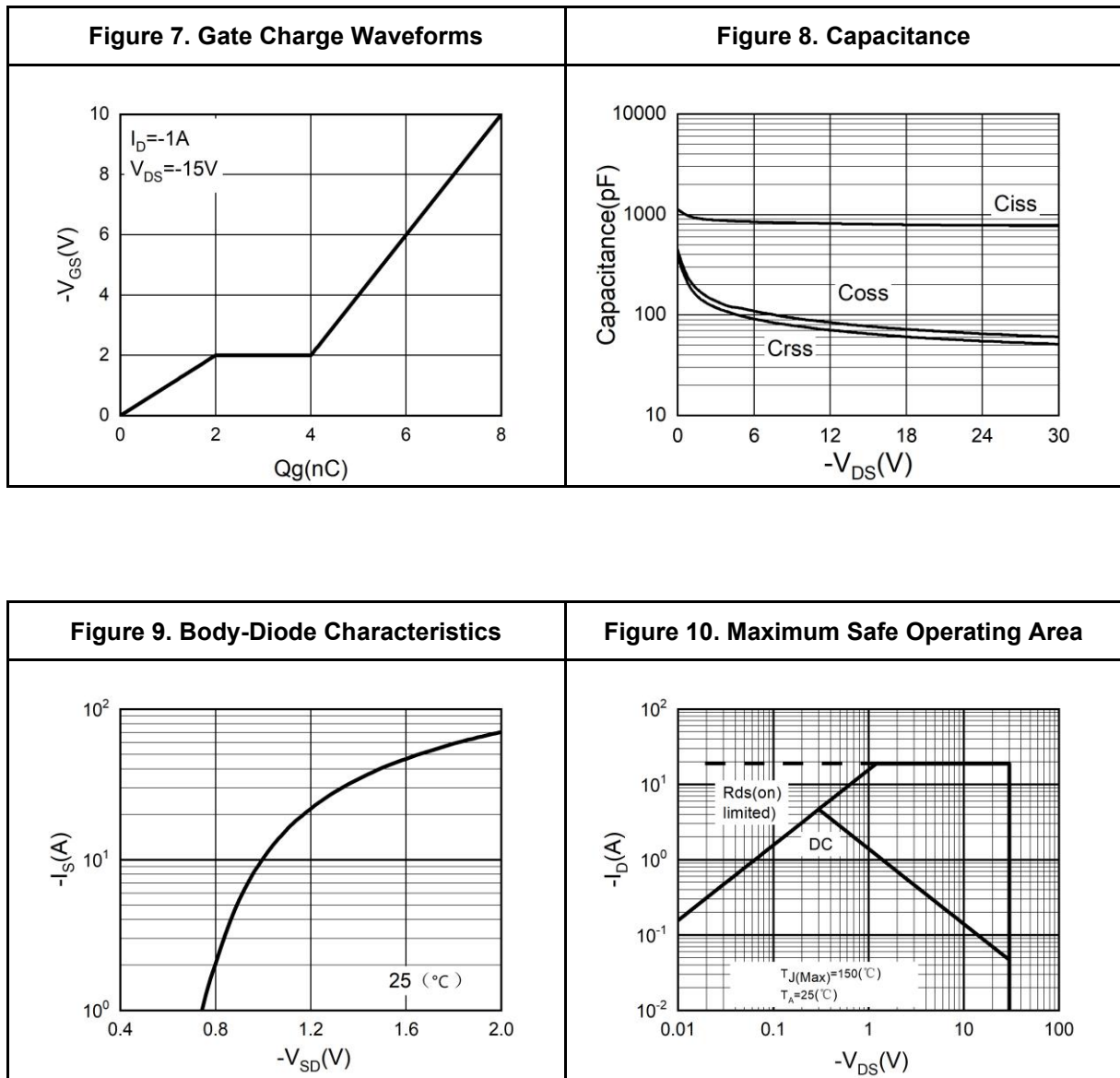
Typical Electrical And Thermal Characteristics (Curves)





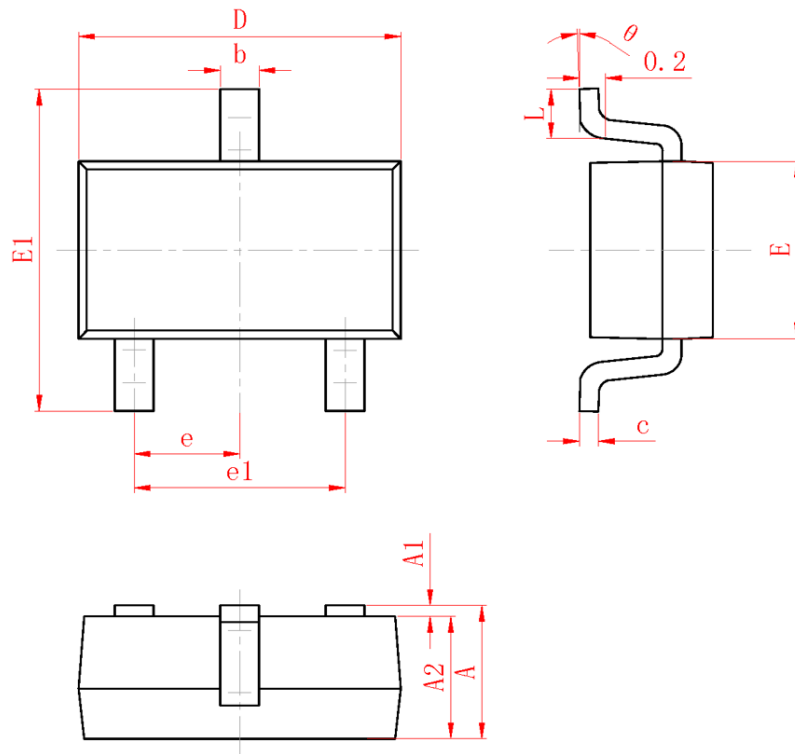
30V P-Channel Trench Power MOSFET

Typical Electrical And Thermal Characteristics (Curves)





SOT-23-3L Package Information



	Dimensions In Millimeters	
	Min.	Max.
A	1.050	1.250
A1	0.000	0.100
A2	1.050	1.150
b	0.250	0.450
c	0.100	0.200
D	2.820	3.020
E	1.500	1.700
E1	2.650	2.950
e	0.950(BSC)	
e 1	1.800	2.000
L	0.300	0.500
θ	0°	8°



Attention

This product described in this document can not be used in life support devices or systems, aircraft's control systems, and other applications whose failure can be reasonably expected to result in serious physical and/or material damage, apart from that when an application agreement is signed between customer and Wuxi Shangjia Semiconductor.

The performances and characteristics of this product in the independent testing state are displayed in this document. Wuxi Shangjia Semiconductor can't guarantee of the performances and characteristics of this described product that mounted in the customer's products or equipments as same as that in the independent testing state. So the customer should evaluate and test devices mounted in the customer's products or equipments.

Wuxi Shangjia Semiconductor reserves the right to improve the designs, functions and reliability of this product and modify any and all information described in this document without notice customer, apart from that when a notice agreement is signed between customer and Wuxi Shangjia Semiconductor.

The information given in this document shall in no event be regarded as a guarantee of conditions or characteristics. With respect to any examples or hints given herein, any typical values stated herein and/or any information regarding the application of the device, Wuxi Shangjia Semiconductor hereby disclaims any and all warranties and liabilities of any kind, including without limitation, warranties of non-infringement of intellectual property rights of any third party.